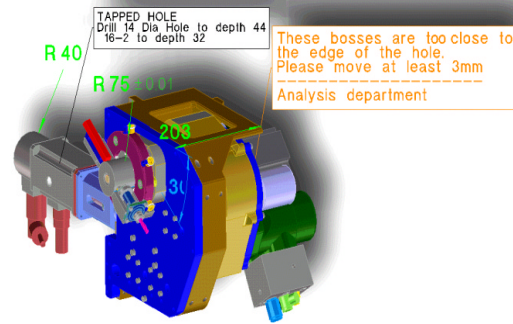


3D Access

3D Access can help your company leverage 3D across organizations, and the extended enterprise. It helps enable collaborative design between teams, customers, suppliers, and subcontractors.



Strengthening the 3D product development process

With CoCreate's 3D Access, companies can strengthen collaborative design across their 3D product development process by leveraging and managing 3D designs throughout the organization.

Teams can retrieve any 3D design, either created in OneSpace Designer Modeling, or from any 3D CAD system, through STEP, IGES, SAT, or optional design data adapters. With 3D Access, designers can share all geometric and non-geometric information like: manufacturing and inspection notes, annotations and analysis results across the company and with subcontractors and suppliers. 3D Access optionally allows navigating through inspection relevant data and evaluating inspection results.

Through the tight integration with Project Data Access and Model Manager people within and beyond the engineering department can easily access the latest up-to-date design and engineering information, helping improve the collaborative design across the product development process.

Accelerating business to business collaboration

Traditionally, companies use drawings to communicate with partners and suppliers. Drawing creation and management takes significant time and effort, generating additional costs. In addition, 2D drawings by definition contain incomplete information of the 3D design and therefore can cause costly misunderstandings.

By eliminating drawings, companies can streamline their 3D product development process.

With 3D Access, suppliers can retrieve product design information from any location, across the network, using a standard Web browser.

Partners can easily access up-to-date information in a secure way. This encourages higher levels of collaborative design across the design chain.

3D Access enables a company to share and leverage 3D design information across the enterprise, for example with inspection departments, prototype manufacturing departments, and documentation departments.

Key Benefits

3D Access provides benefits across your company.

In manufacturing departments:

- Saves time by reducing misunderstandings associated with 2D drawings.
- Removes the ambiguity in 2D views by viewing and measuring the 3D design precisely.

In inspection departments:

- Reduces development time by making it easier to detect and resolve design problems through precisely viewing and measuring distances, radii, angles, inspection notes, and annotations.
- Reduces the time to understand the 3D design by easily viewing the inner details using 3D clipping planes.
- Reduces the time to navigate through inspection relevant data and evaluate inspection results

In documentation departments:

- Saves time by quickly creating high quality shaded images.

In addition, when working with partners and suppliers:

OneSpace Designer

3D Access

- Saves time providing instant access to your company's latest 3D designs.
- Leverages any 3D file without having to create 2D drawings, STEP, or VRML files.

3D Access

CoCreate's 3D Access allows designers to:

- Precisely inquire geometric information like distance, radius, and angle dimensions, etc.
- View non-geometric information like manufacturing, inspection, analysis, and engineering notes as well as annotations.
- Easily create high-resolution true color pictures of the 3D design for documentation purposes.
- Quickly define sections through the 3D design by using up to six clipping planes.
- Query, and retrieve any 3D designs from the OneSpace repository.
- Load package, part, assembly, and workplane files.
- Import 3D designs from traditional CAD systems through industry standard formats:

- Bi-directional and award winning STEP, SAT, and IGES adapters.

The following additional products are supported by 3D Access (see specific data sheets for further information):

- Pro/ENGINEER™ Data Adapter
- CATIA™ Data Adapter
- Unigraphics™ Data Adapter
- I-DEAS™ Data Adapter
- SolidWorks™ Data Adapter
- Inspection

System Requirements

3D Access runs on these platforms:

- Windows NT™ 4.0
- Windows 2000™
- Windows XP™ Professional

Windows NT, Windows 2000, and Windows XP are registered Trademarks of Microsoft Corporation
CATIA is a registered trademark of IBM Corporation.
Pro/ENGINEER is a registered trademark of Parametric Technology Corporation.
I-DEAS is a registered trademark of Structural Dynamics Research Corporation.
SolidWorks is a registered trademark of Dassault Systemes S. A.
Unigraphics is a trademark of Unigraphics Solutions Corporation.

Ordering Information	
3D Access	C440
3D Access Support	C440A
Electronic manuals are available on the OneSpace media.	

CoCreate

For more information, please contact the following CoCreate offices or visit
www.cocreate.com
www.cocreate.com/eSupport

Germany
Phone: +49 (7031) 951-0

**United Kingdom
and other European countries**
Phone: +44 (1789) 778549

USA
Phone: +1 (970) 267-8000
Toll free: +1 (888) CoCreate

France and Spain
Phone: +33 (1) 69189-113

Italy
Phone: +39 (02) 924425-21

Singapore
Phone: +65 (550) 9665

Japan
Phone: +81 (42) 352-5654

All rights to this documentation, including duplication, distribution and translation rights, are reserved.
Right of technical modifications reserved.
© CoCreate Software GmbH & Co. KG, 05/02

C440_E_2002+